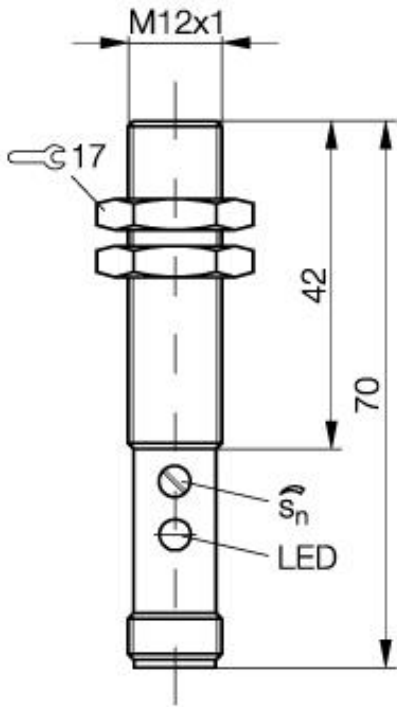


Photoelectric Sensor
BOS 12M-PA-LE10-S4
Sn=30000mm
through-beam, receiver



PX1288

Common Data

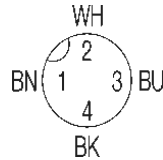
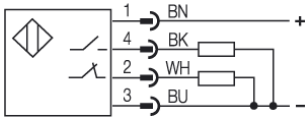
| | |
|-----------------------------------|------------------------|
| Series | 12M |
| Sensortype | through-beam, receiver |
| Switching frequency | 1000 Hz |
| Rated operating distance Sn in mm | 30000 |
| asured operating distance Sa | LS11:3000; LS12:30000 |
| Indication Switching element on | yes |
| Ambient temperature | -10...+50°C |
| On-delay | 0,5ms |
| Sensitivity Adjustment | Poti |
| Permissable ambient light | 5000 |
| Output function | dark-on |

Mechanical Data

| | |
|--------------------------|---------------------------|
| Measurements | M12x70 |
| Shock | Halfsinus, 30gn, 11ms |
| Vibration | 55Hz, 1mm Amplitude 3x30M |
| Housing material | nickel plated brass |
| Material of sensing face | PMMA |
| Degree of protection | IP67 |
| Connection | Connector S4 (M12) |
| Weigth | 30g |
| Recommended connector | BKS-S20-8 |

Electrical Data

| | |
|-------------------------------------|---------------|
| Current | DC |
| Switching function | NO/NC |
| Output | PNP |
| Rated operational current Ie | 200mA |
| Supply Voltage | 10...30V DC |
| Ripple | < 10% from UB |
| Frequency of Supply Voltage | DC |
| No-load supply current | ≤ 15mA |
| Voltage drop | <2,5V |
| Short protection | yes |
| Protected against polarity reversal | yes |
| max. Load capacity | 0,1µF |



Utilization categories
 Insulation class

DC 13

Datasheet number:

Definitions see general catalog.
 If not otherwise noted, ratings according to
 IEC 60947-5-2 (DIN EN60947-5-2)

Balluff GmbH
 Schurwaldstrasse 9
 73765 Neuhausen a.d.F.
 Phone (07158) 173-0 Fax (07158) 5010

Datenblatt by CD-ROM - 04/2007

BALLUFF
 sensors worldwide